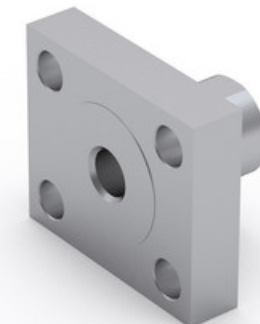


## Coupling piece KSZ

Dimensions in mm.

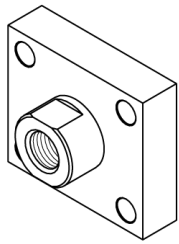
**Material:** Galvanized steel



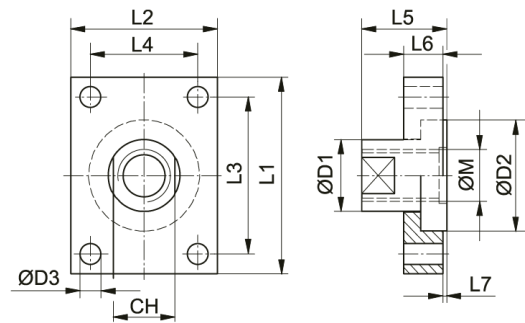
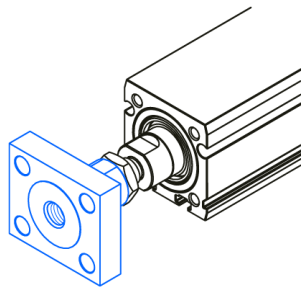
## Variant Data

Designation	Compatible with	Description	Material	Fmax (N)	Mass (kg)
<b>KSZ 25 - 5227</b>	MCE 25	KSZ 25	Galvanized steel	F MCE	0.05
<b>KSZ 32 - 5228</b>	MCE 32	KSZ 32	Galvanized steel	F MCE	0.07
<b>KSZ 45 - 5229</b>	MCE 45	KSZ 45	Galvanized steel	F MCE	0.11

## Dimensions



Fixed support



Designation	M	L1	L2	L3	L4	L5	L6	L7	D1
<b>KSZ 25 - 5227</b>	M6	30	25	20	15	16	8	0.1	12 <sup>-0.1</sup>
<b>KSZ 32 - 5228</b>	M8	35	30	25	20	22	8	0.1	14 <sup>-0.1</sup>
<b>KSZ 45 - 5229</b>	M10x1.25	40	35	30	25	20	10	0.1	17 <sup>-0.2</sup>

Designation	D2	D3	CH
<b>KSZ 25 - 5227</b>	18	5.5	10
<b>KSZ 32 - 5228</b>	20	5.5	13
<b>KSZ 45 - 5229</b>	26	5.5	15