

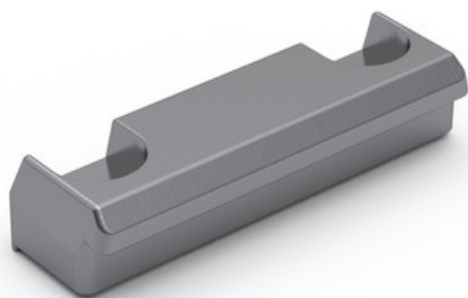
Clamping fixture

Dimensions in mm.

Mini electric cylinder and slider can be mounted by using the clamping fixtures which are placed in the slot on the side of the profile. Clamping fixtures can also be mounted to the slide of the mini electric sliders MSCE (e.i. for multi-axis systems). See Mounting Examples in Technical Information document for further information.

The scale of the drawings may not be equal.

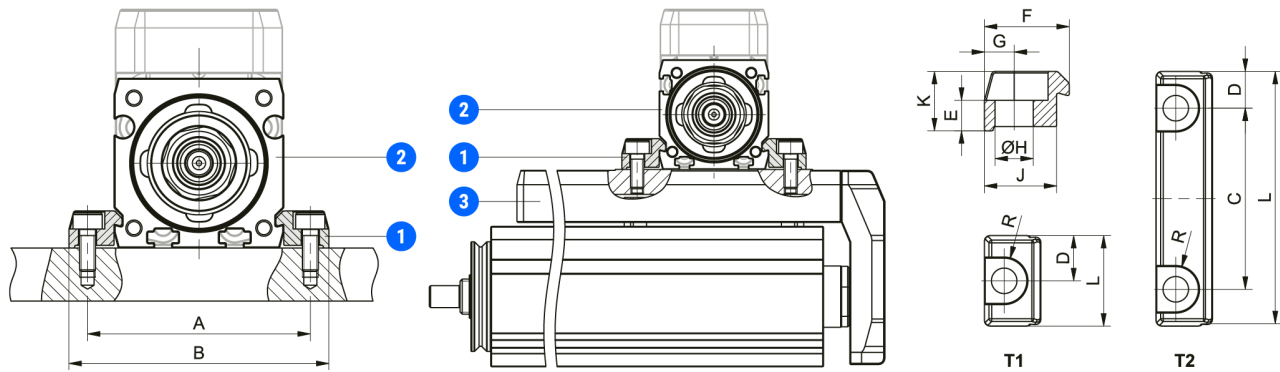
Material: Powder coated zinc alloy



Variant Data

Designation	Compatible with	Screw Type	Type	Mass (g)
MG 25 - 108216	MCE/MSCE 25	M3	T1	6
MG 25 - 108218	MCE/MSCE 25	M3	T2	12
MG 25 - 108217	MCE/MSCE 25	M4	T1	5
MG 25 - 108219	MCE/MSCE 25	M4	T2	16
MG 32 - 108216	MCE/MSCE 32	M3	T1	6
MG 32 - 108218	MCE/MSCE 32	M3	T2	12
MG 32 - 108217	MCE/MSCE 32	M4	T1	5
MG 32 - 108219	MCE/MSCE 32	M4	T2	16
MG 45 - 108216	MCE/MSCE 45	M3	T1	6
MG 45 - 108218	MCE/MSCE 45	M3	T2	12
MG 45 - 108217	MCE/MSCE 45	M4	T1	5
MG 45 - 108219	MCE/MSCE 45	M4	T2	16

Dimensions



- 1 - Clamping fixture
- 2 - Profile of the MCE/MSCE
- 3 - Slide of the MSCE

Designation	L	A	B	C	D	E	F	G	H
MG 25 - 108216	16	35 (±0,1)	42	–	8	3.6	10	3.5	Ø 3.4
MG 25 - 108218	32	35 (±0,1)	42	22.5	4.75	3.6	10	3.5	Ø 3.4
MG 25 - 108217	16	35 (±0,1)	42	–	8	2.5	10	3.5	Ø 4.5
MG 25 - 108219	45	35 (±0,1)	42	32	6.5	2.5	10	3.5	Ø 4.5
MG 32 - 108216	16	42 (±0,1)	49	–	8	3.6	10	3.5	Ø 3.4
MG 32 - 108218	32	42 (±0,1)	49	22.5	4.75	3.6	10	3.5	Ø 3.4
MG 32 - 108217	16	42 (±0,1)	49	–	8	2.5	10	3.5	Ø 4.5
MG 32 - 108219	45	42 (±0,1)	49	32	6.5	2.5	10	3.5	Ø 4.5
MG 45 - 108216	16	55 (±0,1)	62	–	8	3.6	10	3.5	Ø 3.4
MG 45 - 108218	32	55 (±0,1)	62	22.5	4.75	3.6	10	3.5	Ø 3.4
MG 45 - 108217	16	55 (±0,1)	62	–	8	2.5	10	3.5	Ø 4.5
MG 45 - 108219	45	55 (±0,1)	62	32	6.5	2.5	10	3.5	Ø 4.5

Designation	J	K	R	Countersink for
MG 25 - 108216	8.5	7	3.25	DIN 912
MG 25 - 108218	8.5	7	3.25	DIN 912
MG 25 - 108217	8.5	7	4	DIN 912
MG 25 - 108219	8.5	7	4	DIN 912
MG 32 - 108216	8.5	7	3.25	DIN 912
MG 32 - 108218	8.5	7	3.25	DIN 912
MG 32 - 108217	8.5	7	4	DIN 912
MG 32 - 108219	8.5	7	4	DIN 912
MG 45 - 108216	8.5	7	3.25	DIN 912
MG 45 - 108218	8.5	7	3.25	DIN 912
MG 45 - 108217	8.5	7	4	DIN 912
MG 45 - 108219	8.5	7	4	DIN 912