

Table of contents

- **210 Non Lock - 100% Extension**
- **220 (Left) & 230 (Right) Lock in / Lock out - 100% Extension**
- **410 - 100% Extension**

210 Non Lock - 100% Extension

A precision ball bearing slide with smooth movement combined with good load carrying capacity. All aluminium slide.

A row of ball bearings in each track, concealed in nylon cages, ensures smooth and easy operation. Carrying loads up to 90 kg per pair.

Standard lengths 300 to 600 mm in 50 mm increments.

Note 1: 15 mm dia. holes in centre beam allow easy access to fixing holes. M5 countersunk head screws to BS4183 are recommended for fixing.

Note 2: Elongated holes should be provided in either the framework or chassis to give adjustment if it is necessary for the panel to fit tight against the framework.

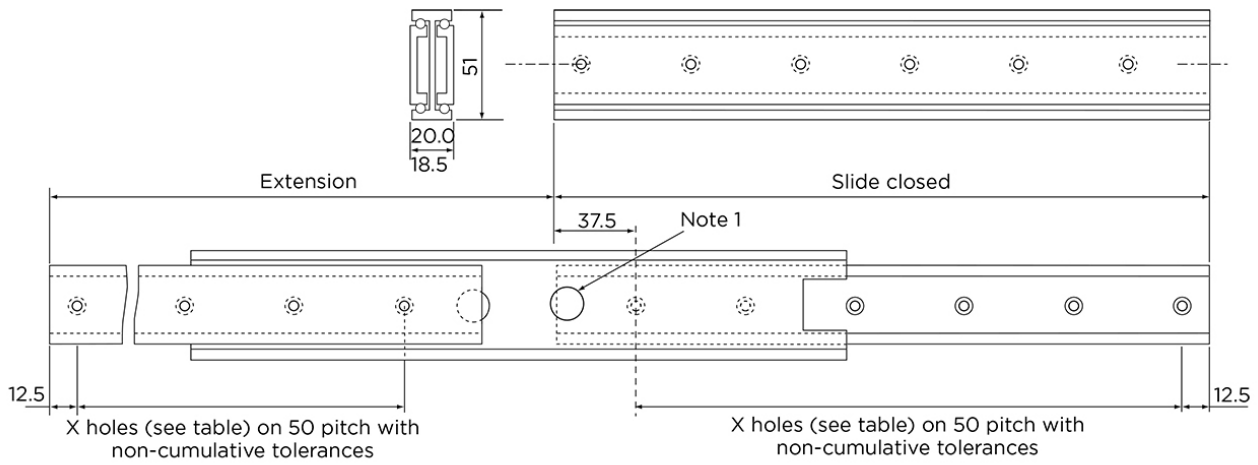
All dimensions in mm.

System Load Capacity value refers to a pair of rails at full extension.

Extension: 100%



General Data



Note 1: 15 mm dia. holes in centre beam allow easy access to fixing holes. M5 countersunk head screws to BS4183 are recommended for fixing.

Note 2: Elongated holes should be provided in either the framework or chassis to give adjustment if it is necessary for the panel to fit tight against the framework.

Designation	Closed Length	Extension Length	System Load Capacity (N)	Number of Fixing Holes
210-300	300	330	550	6
210-350	350	380	620	7
210-400	400	430	710	8
210-450	450	480	780	9
210-500	500	530	840	10
210-550	550	580	880	11
210-600	600	630	900	12

220 (Left) & 230 (Right) Lock in / Lock out - 100% Extension

The 220 (LH) & 230 (RH) are a pair of precision ball bearing slides with a complete integrated locking system. Automatically locked when the slide is fully extended and when fully closed. Slide smoothly and easily due to a row of ball bearings held in a nylon cage in each track. All aluminium slide. Carrying loads up to 90 kg per pair. Standard lengths 300 to 600 mm in 50 mm increments.

Note 1: 15 mm dia. holes in centre allow easy access to fixing holes. M5 countersunk head screws to BS4183 are recommended for fixing.

Note 2: Elongated holes should be provided in either the framework or chassis to give adjustment if it is necessary for the panel to fit tight against the framework.

All dimensions in mm. Please contact us for CAD-files.

System Load Capacity value refers to a pair of rails.

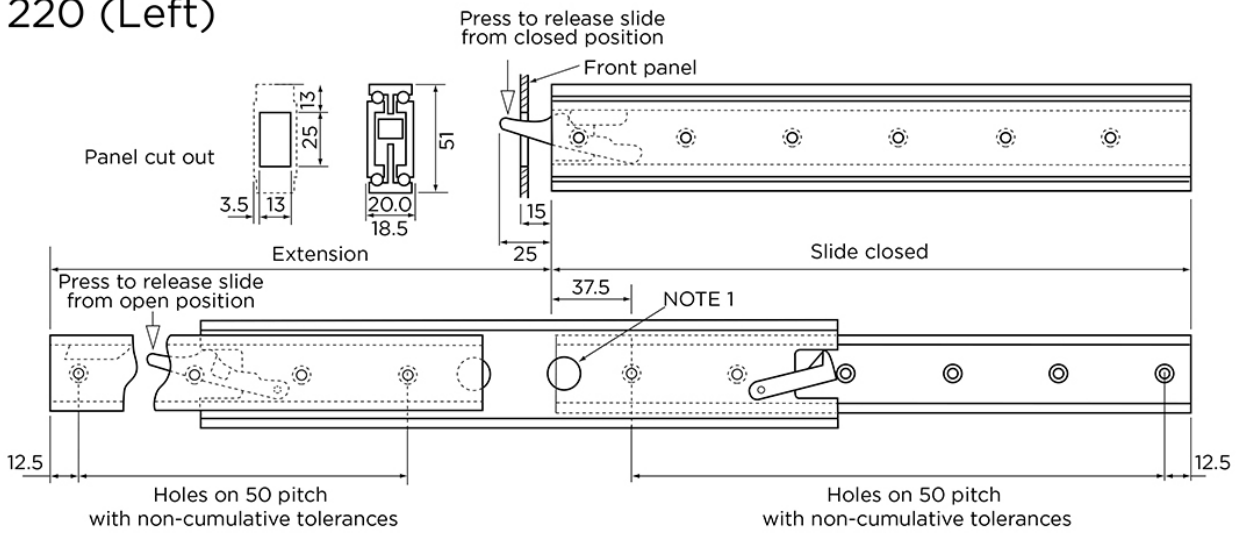
Material: Aluminium

Extension: 100%



General Data

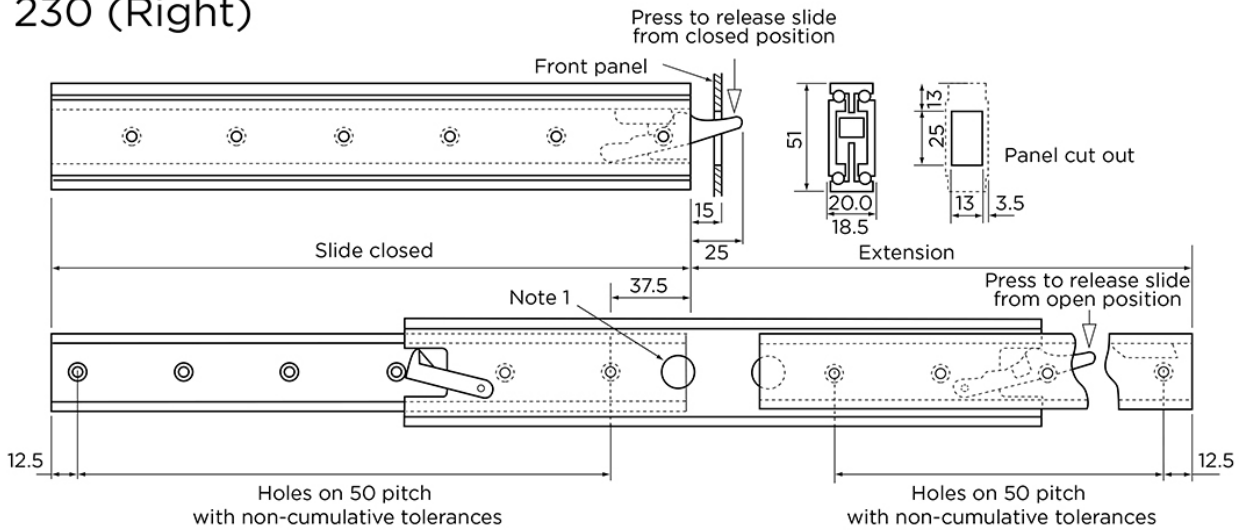
220 (Left)



Note 1: 15 mm dia. holes in centre allow easy access to fixing holes. M5 countersunk head screws to BS4183 are recommended for fixing.

Note 2: Elongated holes should be provided in either the framework or chassis to give adjustment if it is necessary for the panel to fit tight against the framework.

230 (Right)



Note 1: 15 mm dia. holes in centre allow easy access to fixing holes. M5 countersunk head screws to BS4183 are recommended for fixing.

Note 2: Elongated holes should be provided in either the framework or chassis to give adjustment if it is necessary for the panel to fit tight against the framework.

Designation	Closed Length	Extension Length	System Load Capacity (N)	Number of Fixing Holes	Remark
220-300	300	330	550	6	Right
220-350	350	380	620	7	Right
220-400	400	430	710	8	Right
220-450	450	480	780	9	Right
220-500	500	530	840	10	Right
220-550	550	580	880	11	Right
220-600	600	630	900	12	Right

General Data

Designation	Closed Length	Extension Length	System Load Capacity (N)	Number of Fixing Holes	Remark
230-300	300	330	550	6	Left
230-350	350	380	620	7	Left
230-400	400	430	710	8	Left
230-450	450	480	780	9	Left
230-500	500	530	840	10	Left
230-550	550	580	880	11	Left
230-600	600	630	900	12	Left

410 - 100% Extension

An all aluminium 3 beam slide extending up to 100%.
Carrying loads up to 340 kg per pair.
Standard lengths 300 to 1000 mm in 50 mm increments.
Lightweight Slide 6,5 kg/meter per pair with a compact profile.
70% lighter than comparable steel slides.

Note: 18 mm dia. holes in centre beam allow easy access to fixing holes. M8 countersunk head screws to BS4183 are recommended for fixing.

All dimensions in mm.

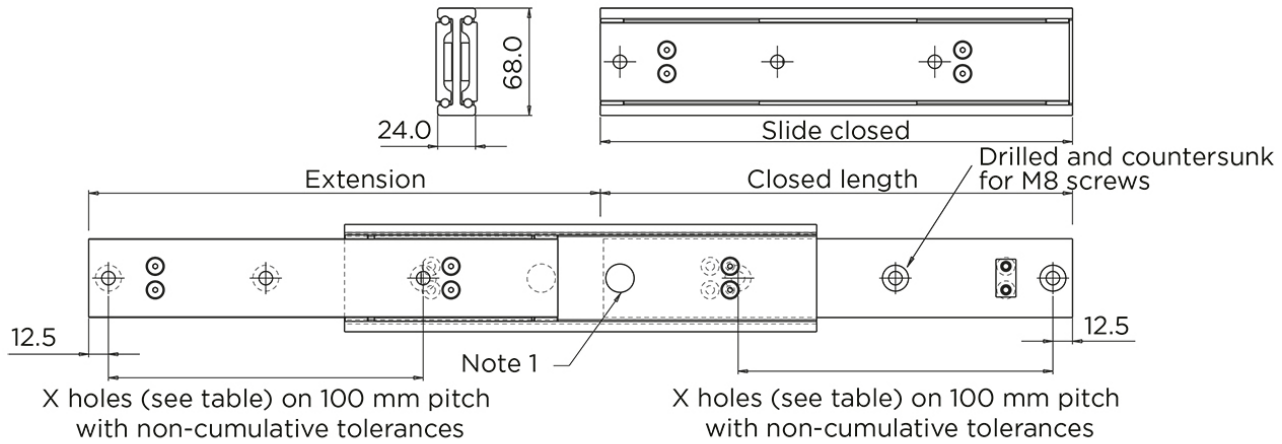
System Load Capacity value refers to a pair of rails.

* Some variants are only available on request. See table below.

Extension: 100%



General Data



Note: 18 mm dia. holes in centre beam allow easy access to fixing holes.
M8 countersunk head screws to BS4183 are recommended for fixing.

Designation	Closed Length	Extension Length	System Load Capacity (N)	Number of Fixing Holes
410-300	300	325	2900	3
410-350*	350	375	3000	4
410-400	400	425	3100	4
410-450*	450	475	3200	5
410-500	500	525	3300	5
410-550*	550	575	3400	6
410-600	600	625	3400	6
410-650*	650	675	3300	7
410-700	700	725	3200	7
410-750*	750	775	3100	8
410-800	800	825	3000	8
410-850*	850	875	3000	9
410-900	900	925	2800	9
410-950*	950	975	2700	10
410-1000	1000	1025	2500	10