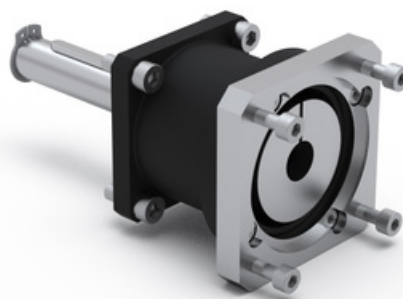


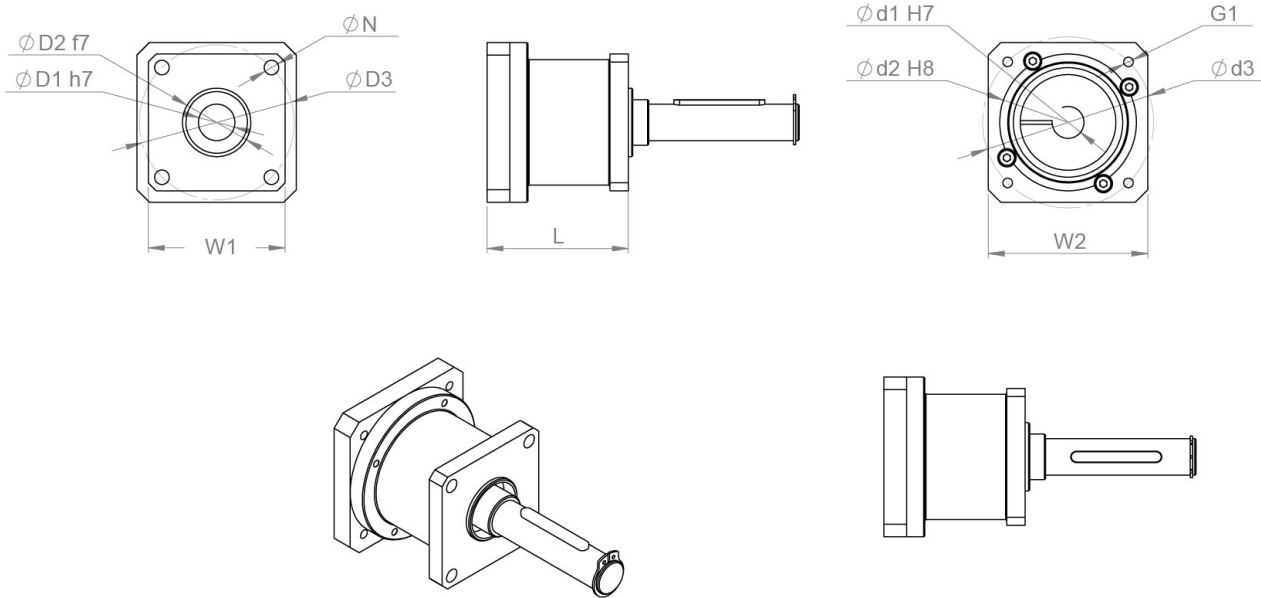
Adapter kit RHL

Easily connect your RHL Linear unit with a planetary gear by using our adapter-kit. Design your complete solution of RHL Linear unit + Adapter kit + Planetary gear with our CAD-Configurator.

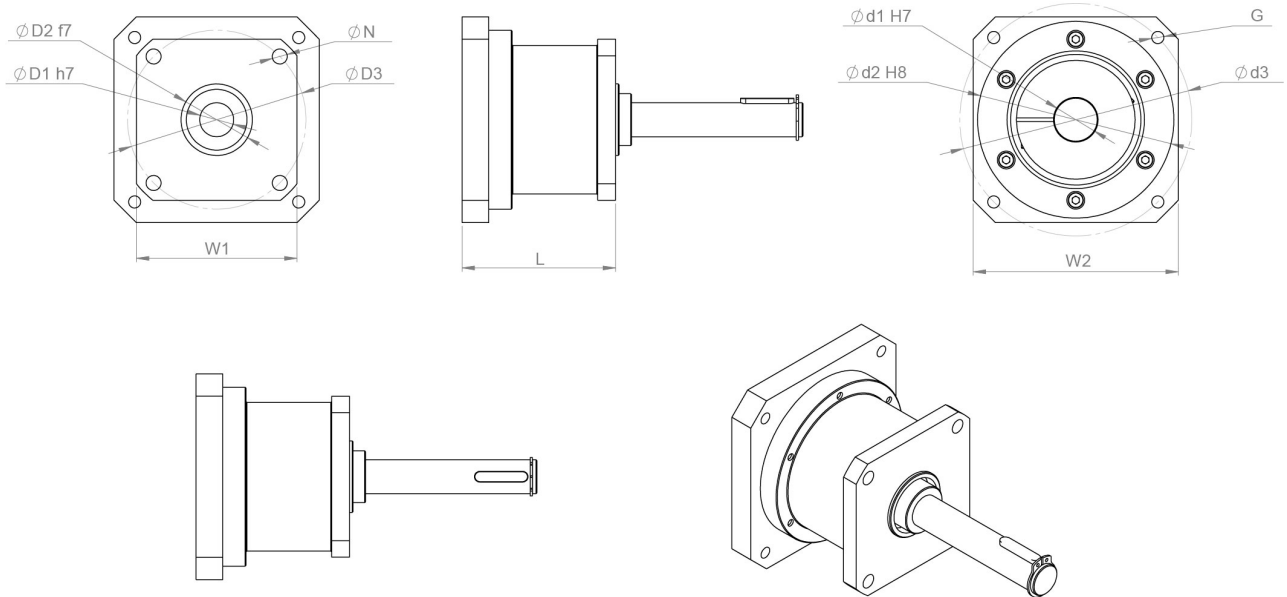


Product Data

RHL80



RHL110



Designation	W1	L	D1	D2	D3
RHL80-CPS015 Adapter kit	60x60	62	14	60	75
RHL110-CPS035 Adapter kit	90x90	86	24	110	130

Designation	N1	Compatible with	G1
RHL80-CPS015 Adapter kit	6.4	RHL80	M5
RHL110-CPS035 Adapter kit	8.4	RHL110	M8