

Installation guide

3080 - R Lock in/out 100% Extension

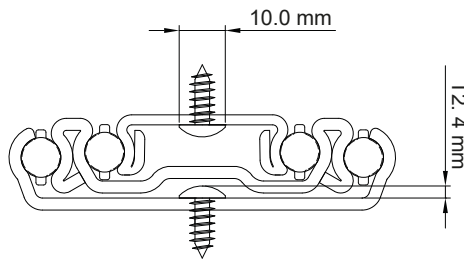
The 3080 - R Lock in / Lock out rails are right-handed as standard, but can also be mounted upside down on the left-hand side. In such cases, the locking lever is operated by lifting it upwards instead of pushing it downwards.

For most applications, the 3080 - R Lock in / Lock out can be combined with the 3080 rail without a locking function. For wider installations, lockable rails on both sides are recommended for improved stability.

Left-hand versions are available upon request. Please contact Rollco for more information.

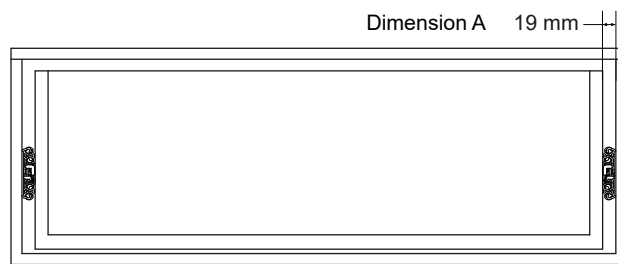
This installation guide applies to both right-hand and left-hand rails.

Recommended screws for fixing #10 or M5 pan head screws. Use at least 8 screws for each rail.

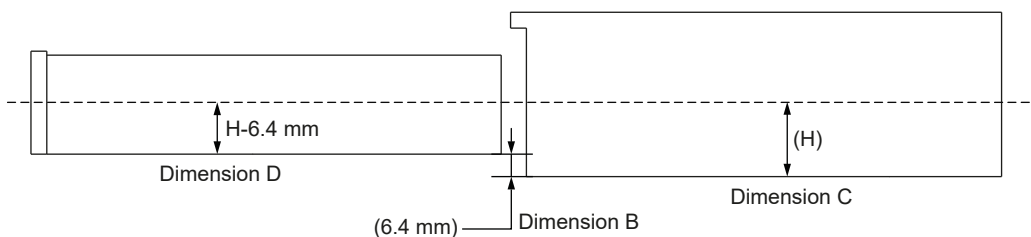


Technical specifications for drawer or pull-out shelf

- Drawer or pulling-out shelf side clearance must be at least 19.30 mm (Dimension A).

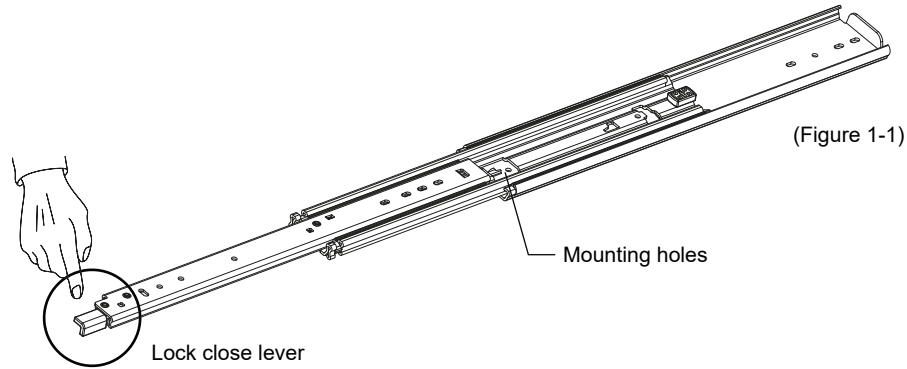


- Bottom of drawer or pulling-out shelf must have 6.4 mm minimum clearance from the bottom of the cabinet (Dimension B).
- Mark a center line with proper height (H) from the bottom of the cabinet (Dimension C).
- Mark a center line with proper height (H-6.4 mm) from the bottom of the drawer (Dimension D).

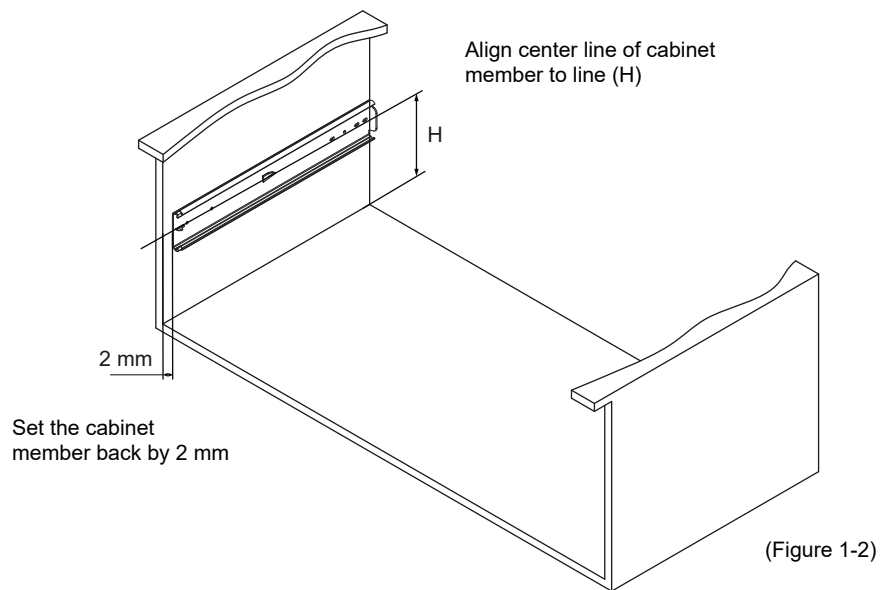


Install cabinet member to cabinet

- Press the lever down to release the slide from lock close to access the mounting holes on outer member (*Figure 1-1*).



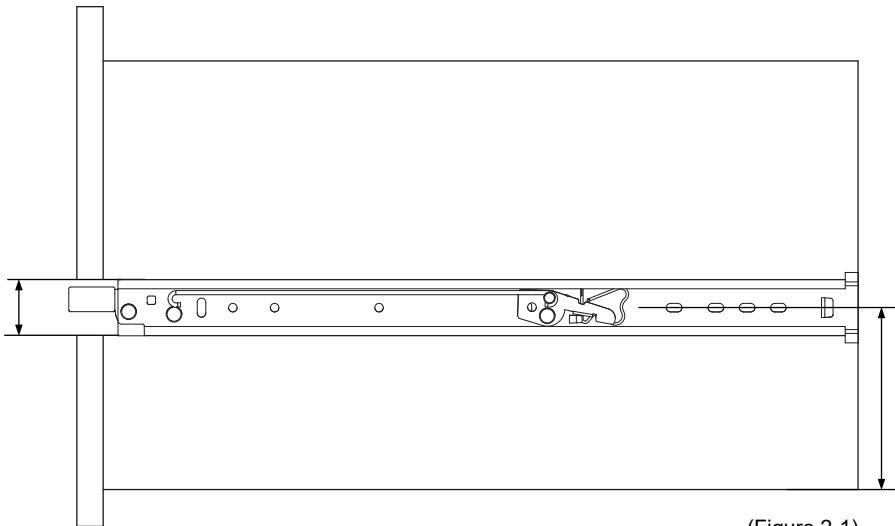
- Align center line of the cabinet member to pre-determined center line (H), and place slide 2 mm backward from cabinet opening (*Figure 1-2*).



- Fix the slides through the slots and leave the screws loose for adjustment. Move the slides back and forth and make sure no screw is bound.

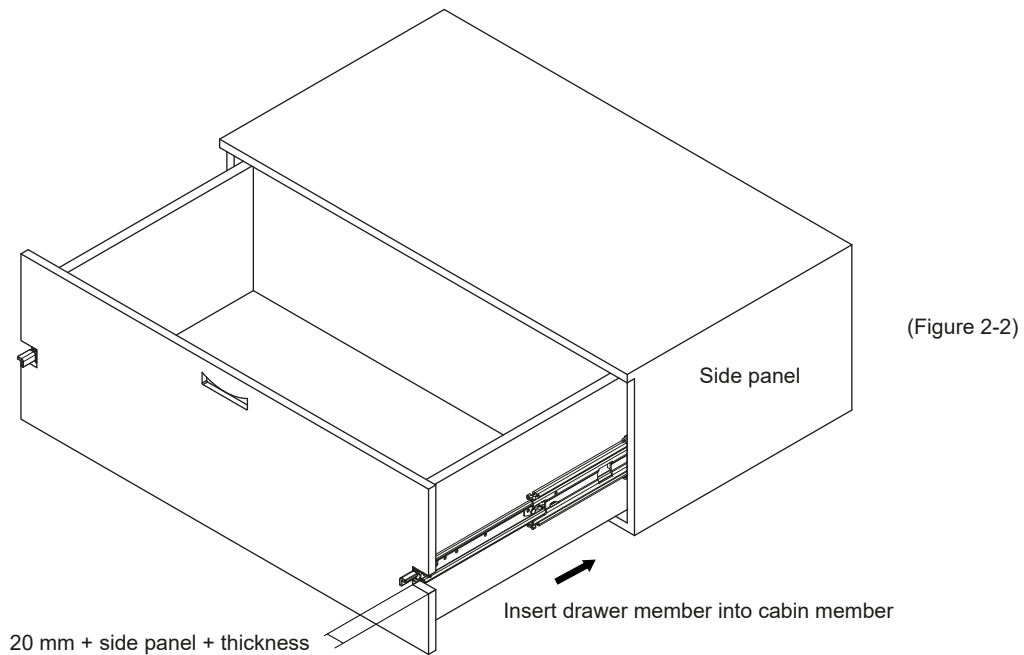
Install drawer member to drawer

- Align center line of drawer member to the pre-determined line (H-6.4 mm), make a 36 mm (H) x 20 mm + side panel thickness notch on each side of front to access the lock close lever (Figure 2-1 and 2-2).
- Fix the drawer member through vertical slots for vertical adjustment.



Final adjustment

- Try to open and close the drawer to see if slides function correctly. If so, install more screws through round holes for better loading performance as necessary. If not, please make adjustment until slides function correctly (Figure 2-2)



*Note that this instruction is for reference only. It may vary due to different applications.