

BELT CONVEYOR



ROLLCO
SPECIALIZED
ON LINEAR MOTION

Every care has been taken to ensure the accuracy of the information contained in this catalogue, but no liability can be accepted for any errors or omissions. We reserve the right to make changes without prior notice.

Any reproduction, even partial, is allowed only by written permission by Rollco.



**CLIMATE
COMPENSATED
PAPER**



Index

| | |
|-------------------------------------|-----------|
| PRODUCT OVERVIEW | 4 |
| Rollco Belt Conveyors | 4 |
| Conveyor Belt Stands | 4 |
| Conveyor Guides | 5 |
| Special Solutions | 5 |
| BELT CONVEYOR TYPES | 6 |
| BF40E (end drive) | 6 |
| BF40M (middle drive) | 7 |
| BF80E (end drive) | 8 |
| BF80M (middle drive) | 9 |
| POSITION OF MOTOR | 10 |
| CONVEYOR BELTS | 11 |
| ORDER CODE | 13 |
| BELT CONVEYOR EXAMPLES | 14 |



Rollco Belt Conveyors

Here at Rollco we pride ourselves in being able to meet the needs of every customer as quickly and efficiently as possible, and our conveyor belt series is no exception.

As a standard, the conveyor series is built upon an aluminium profile base with a stainless-steel slider bed and a mix of aluminum and steel components. We offer a wide range of standard belts. Should you need more specialized belts, please contact us. We have more options available to cover all requirements.

Belt tension is easily adjusted with open screws on the head/tail pulleys. Drive pulleys and head/ tail pulleys are generally trapezoidal crowned for belt tracking and are made from either aluminium or steel. Alternatively, or additionally, a guiding profile can be added to the belt.



The conveyors are available in two sizes, BF40 and the larger BF80. The size is often determined by the accumulated weight, size, or amount of the goods needed to be transported and are either head-driven or center-driven. Center-drives are always preferable for reversing operations.

All widths are available, however trending widths have been brought forward for better efficiency. Conveyor lengths are always made to order.

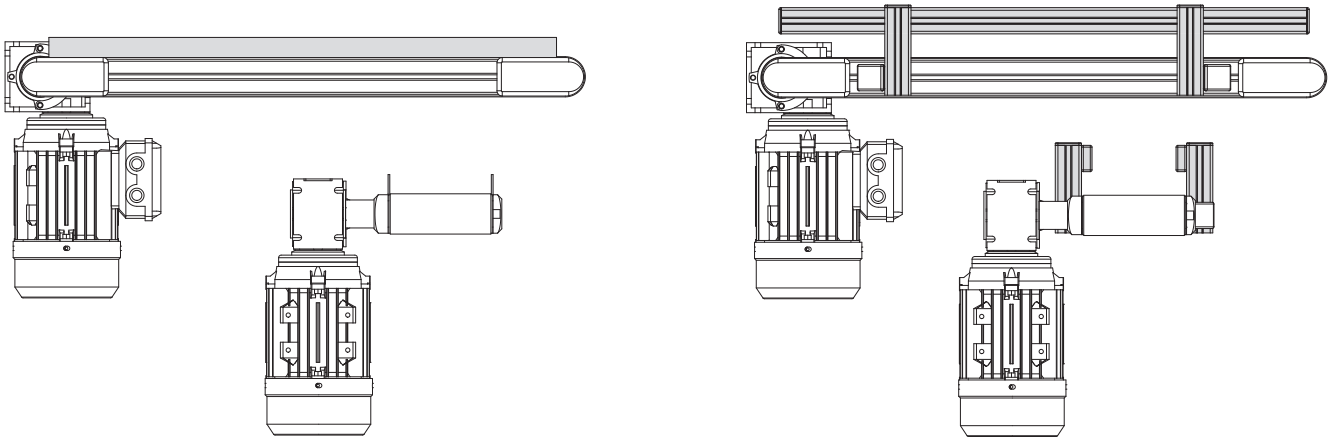
Conveyor Belt Stands

We can also provide stands for the conveyor belts. The stands are made from aluminium profiles, guaranteed 100% compatible with the conveyor and are made to order. Available with adjustable feet, fixable feet or wheels.



Conveyor Guides

Conveyor guides are ideal for diverting, accumulating or guiding goods. We have several solutions, examples include bent plates and additional adjustable guide profiles.

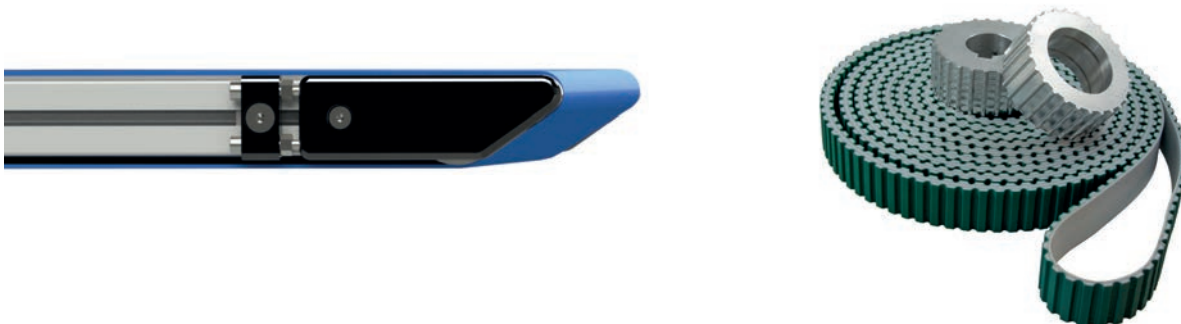


Support Kits

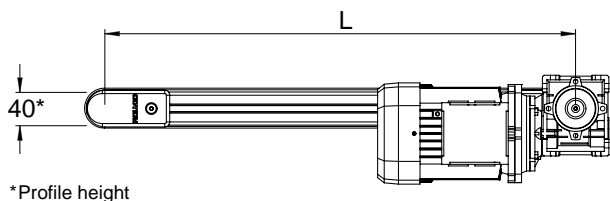
The support kits are used to take up belt slack. The kits are optional, but recommended. If no other request is made, they will be included with the conveyor, amount of kits depending on its length and type.

Special Solutions

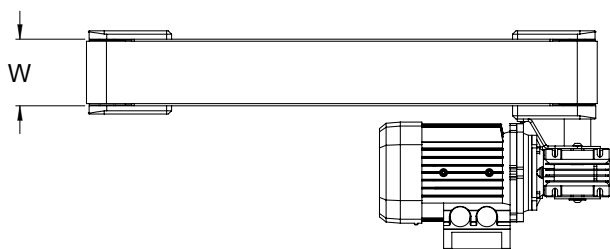
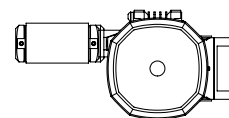
We also have experience of more specialized conveyors, including **Parallel Driven, Toothed Conveyors** and **Knife Edged** solutions. With the **knife edge** solution the end diameter can be reduced to Ø 20 mm. Don't hesitate to contact us regarding your specific application.



BF40E (end drive)



*Profile height



| Width (mm) | Length (mm) | Gear ratio (I) | Speed (m/min) | Drive side | Motor position |
|------------|--------------|----------------|---------------|------------|----------------------------|
| 40 | Up to 4000** | 5 | 37,3 | Right/left | Horizontal/vertical 1-4 |
| 80 | | 7,5 | 24,9 | | |
| 120 | | 10 | 18,7 | | |
| 160 | | 15 | 12,4 | | |
| 200 | | 20 | 9,4 | | |
| 250 | | 25 | 7,5 | | |
| 300 | | 30 | 6,2 | | |
| 350 | | 40 | 4,7 | | |
| 400 | | 50 | 3,7 | | |

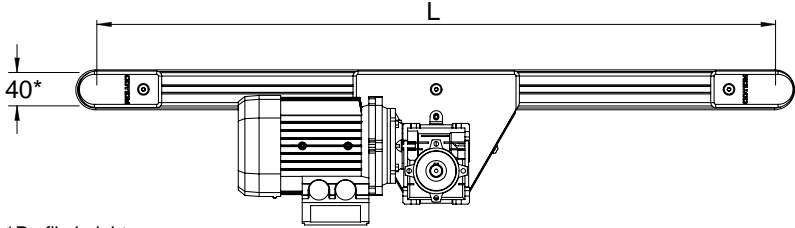
** For exceeding lengths, please contact Rollco.

This table shows the standards for our BF40 series. Other speeds and widths are available on request. Please contact Rollco for more information. The table is also based on assembly using Rollcos standard motor for BF40E. The standard motors for BF40 series are shown below.

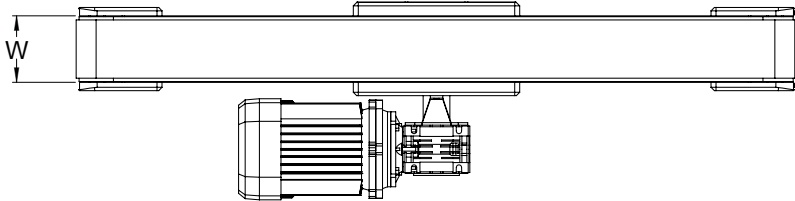
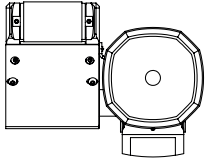
| Motor type | Voltage (V) | Power (kW) | Frequency (Hz) | Current (A) | Speed rpm | Enclosure |
|------------|-------------|------------|----------------|-------------|-----------|-----------|
| MS63A-4 | 230/400 | 0,12 | 50 | 0,82/0,47 | 1350 | IP55 |
| MS63B-4 | 230/400 | 0,18 | 50 | 1,18/0,68 | 1350 | IP55 |

Other motors and frequency converters are available on request. Individual motors are not tested or assembled to the unit during transport.

BF40M (middle drive)



*Profile height



| Width (mm) | Length (mm) | Gear ratio (I) | Speed (m/min) | Drive side | Motor position |
|------------|--------------|----------------|---------------|------------|----------------------------|
| 40 | Up to 4000** | 5 | 37,3 | Right/left | Horizontal/vertical 1-4 |
| 80 | | 7,5 | 24,9 | | |
| 120 | | 10 | 18,7 | | |
| 160 | | 15 | 12,4 | | |
| 200 | | 20 | 9,4 | | |
| 250 | | 25 | 7,5 | | |
| 300 | | 30 | 6,2 | | |
| 350 | | 40 | 4,7 | | |
| 400 | | 50 | 3,7 | | |

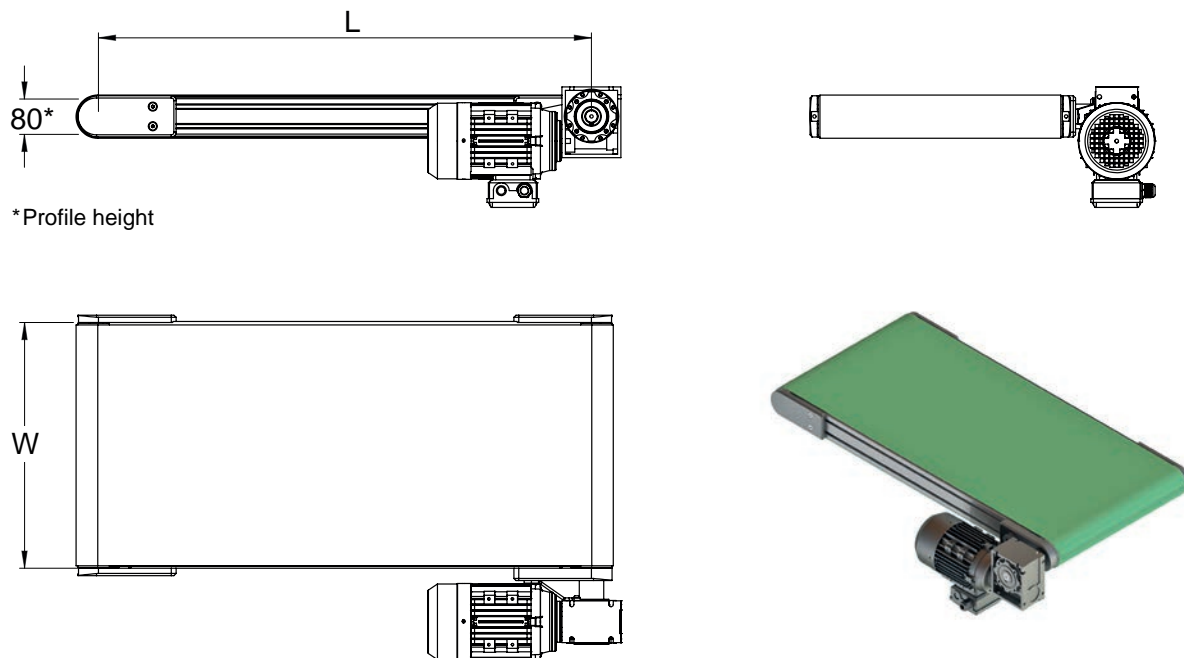
** For exceeding lengths, please contact Rollco.

This table shows the standards for our BF40 series. Other speeds and widths are available on request. Please contact Rollco for more information. The table is also based on assembly using Rollcos standard motor for BF40M. The standard motors for BF40 series are shown below.

| Motor type | Voltage (V) | Power (kW) | Frequency (Hz) | Current (A) | Speed rpm | Enclosure |
|------------|-------------|------------|----------------|-------------|-----------|-----------|
| MS63A-4 | 230/400 | 0,12 | 50 | 0,82/0,47 | 1350 | IP55 |
| MS63B-4 | 230/400 | 0,18 | 50 | 1,18/0,68 | 1350 | IP55 |

Other motors and frequency converters are available on request. Individual motors are not tested or assembled to the unit during transport.

BF80E (end drive)



| Width (mm) | Length (mm) |
|------------|--------------|
| 500 | Up to 6000** |
| 600 | |
| 700 | |
| 800 | |
| 900 | |
| 1000 | |

| Gear ratio (I) | Speed (m/min) |
|----------------|---------------|
| 10 | 36,2 |
| 15 | 24,3 |
| 20 | 18,2 |
| 25 | 14,5 |
| 30 | 12,2 |
| 40 | 9,3 |
| 50 | 7,4 |
| 60 | 6,1 |
| 80 | 4,5 |
| 100 | 3,7 |

| Drive side | Motor position |
|------------|---------------------|
| Right/left | Horizontal/vertical |
| | 1-4 |

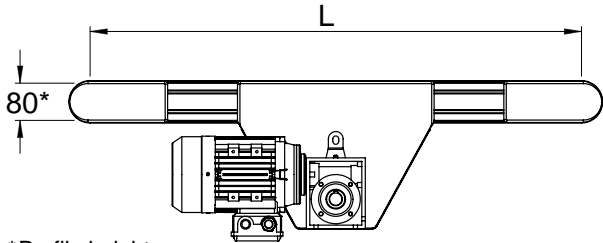
** For exceeding lengths, please contact Rollco.

This table shows the standards for our BF80 series. Other speeds and widths are available on request. Please contact Rollco for more information. The table is also based on assembly using Rollco's standard motor for BF80E. The standard motors for BF80 series are shown below.

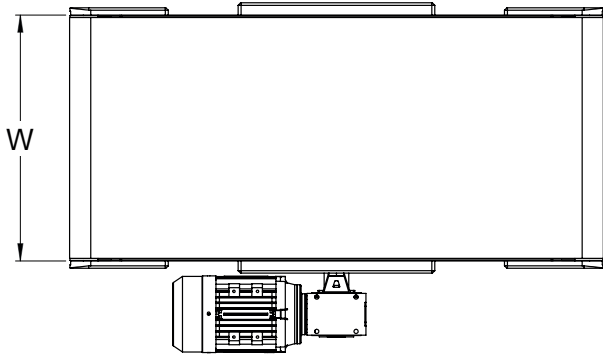
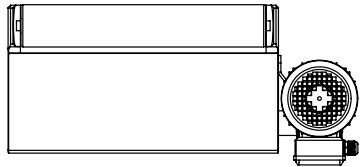
| Motor type | Voltage (V) | Power (kW) | Frequency (Hz) | Current (A) | Speed rpm | Enclosure |
|------------|-------------|------------|----------------|-------------|-----------|-----------|
| MS71A-4 | 230/400 | 0,25 | 50 | 1,46/0,84 | 1350 | IP55 |
| MS71B-4 | 230/400 | 0,37 | 50 | 1,93/1,11 | 1370 | IP55 |
| MS80A-4 | 230/400 | 0,55 | 50 | 2,75/1,58 | 1370 | IP55 |

Other motors and frequency converters are available on request. Individual motors are not tested or assembled to the unit during transport.

BF80M (middle drive)



*Profile height



| Width (mm) | Length (mm) |
|------------|--------------|
| 500 | Up to 6000** |
| 600 | |
| 700 | |
| 800 | |
| 900 | |
| 1000 | |

| Gear ratio (I) | Speed (m/min) |
|----------------|---------------|
| 10 | 36,2 |
| 15 | 24,3 |
| 20 | 18,2 |
| 25 | 14,5 |
| 30 | 12,2 |
| 40 | 9,3 |
| 50 | 7,4 |
| 60 | 6,1 |
| 80 | 4,5 |
| 100 | 3,7 |

| Drive side | Motor position |
|------------|----------------------------|
| Right/left | Horizontal/vertical 1-4 |

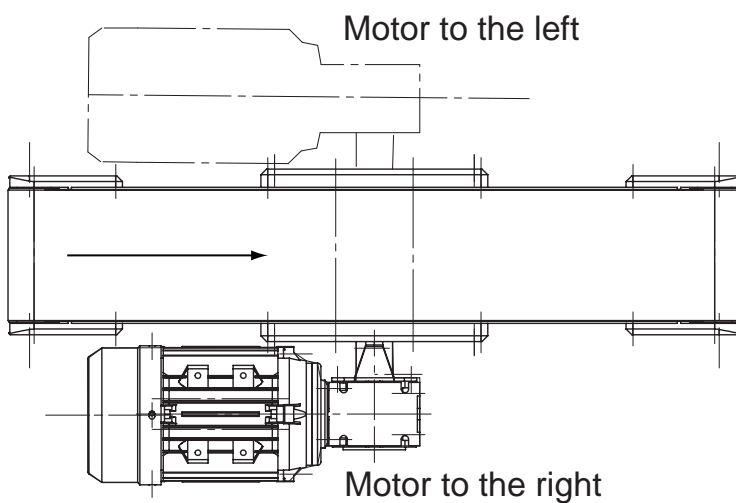
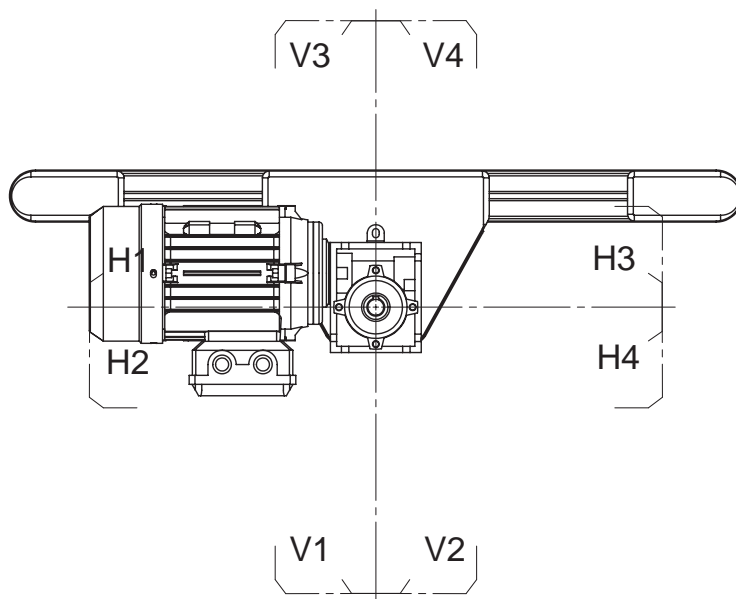
** For exceeding lengths, please contact Rollco.

This table shows the standards for our BF80 series. Other speeds and widths are available on request. Please contact Rollco for more information. The table is also based on assembly using Rollco's standard motor for BF80M. The standard motors for BF80 series are shown below.

| Motor type | Voltage (V) | Power (kW) | Frequency (Hz) | Current (A) | Speed rpm) | Enclosure |
|------------|-------------|------------|----------------|-------------|------------|-----------|
| MS71A-4 | 230/400 | 0,25 | 50 | 1,46/0,84 | 1350 | IP55 |
| MS71B-4 | 230/400 | 0,37 | 50 | 1,93/1,11 | 1370 | IP55 |
| MS80A-4 | 230/400 | 0,55 | 50 | 2,75/1,58 | 1370 | IP55 |

Other motors and frequency converters are available on request. Individual motors are not tested or assembled to the unit during transport.

Position of Motor



L: Motor to the left.
R: Motor to the right.

Example RH1: Right side, position H1

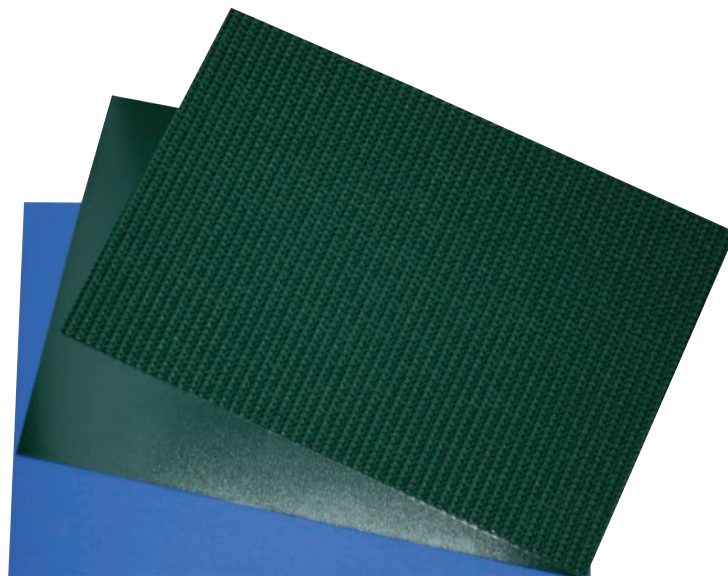
Conveyor Belts

| Material | Friction | Colour | FDA | Surface | Applications | Resistances | Code |
|----------|----------|--------------------|-----|----------------------|----------------------------------------------------------------------------------------|-------------------------------------------------------------------------|------------|
| PVC | High | Green | No | Smooth coated | Furniture, packaging, plastic, wood | | PVC std |
| PVC | High | Black | No | Grip top (tacks) | Furniture, packaging, plastic | Abrasion | PVC-T |
| PVC | High | Black | No | Longitudinal grooves | Canning, distribution, material handling | | PVC-G |
| PVC | High | Grey | No | Quadrile structure | Postal sorting, material handling | | PVC-Q |
| PVC | Medium | White | Yes | Smooth coated | Food processing; Fish, meat, poultry | Abrasion, oil, fat | PVC-M-F Wh |
| PVC | Medium | Blue | Yes | Smooth coated | Food processing; Fish, meat, poultry | Abrasion, oil, fat | PVC-M-F BI |
| PVC | Low | Black | No | Smooth impregnated | Distribution, material handling, packaging | Abrasion, noise | PVC-L |
| TPU | High | Blue | Yes | Longitudinal grooves | Bakery, cheese, chocolate, fish, meat, poultry | Abrasion, oil, fat | TPU-F |
| TPU | Medium | White | Yes | Smooth coated | Bakery, cheese, chocolate, fish, meat, poultry | High temp, easy cleaning | TPU-M-F |
| TPU | Low | Black | No | Smooth coated | Check-out, inspection control | Abrasion, non-marking | TPU-L |
| TPU | Low | Grey | No | Smooth impregnated | Yarn processing | Abrasion | TPU-L-I |
| TPU | Low | Blue | Yes | Smooth coated | Baby food, bakery, cereal, cheese, chocolate, pizza | Abrasion, oil, fat, wear, stick, 100° | TPU-L-F 5B |
| TPU | Low | White | Yes | Smooth coated | Bakery, cereal, pasta, pizza, sweets, chewing gum | Abrasion, wear, stick, 100° | TPU-L-F 8W |
| PET | Medium | Grey | No | Impregnated fleece | Airport baggage, aluminium, car parts, cardboard, electronics, metal, plywood, plastic | Abrasion, oil, chemical, cut, impact, wear, noise, fray, solvent, water | Fleece |
| PET | Low | Black | No | Smooth impregnated | Discharging belt, line, packaging | Abrasion | PET-L-I |
| PET | Low | Grey (translucent) | Yes | Smooth impregnated | Bakery, chemicals, chocolate | Stick-slip | PET-L-I-F |
| SI | High | White | Yes | Smooth coated | Bakery, chemicals, chocolate, frozen foods | UV | Si-F |

Other types available on request.

Heavy Duty Belts

| Material | Friction | Colour | FDA | Surface | Applications | Resistances | Code |
|---------------|----------|--------|-----|----------------------|------------------------------------------------------|--------------------------|-----------|
| TPU | Low | Green | Yes | Smooth coated | Mini-conveyors, apparatus engineering, metal working | Cut, oil | TPU-L-F-H |
| TPU | Medium | Green | No | Smooth coated | Metal working, packaging, z-conveyors | Abrasion, oil | TPU-M-H |
| NBR (rubber) | High | Green | No | Grip top (tacks) | Paper, manufacturing, processing, wood | Abrasion, oil, chemical | NBR-T-H |
| EPDM (rubber) | High | Green | No | Longitudinal grooves | Packaging, paper, manufacturing, processing, wood | Temp. variation | EPDM-G-H |
| NBR (rubber) | High | Green | No | Rough top | Packaging, paper, manufacturing, processing | Abrasion, oil, chemical, | NBR-R-H |
| NBR (rubber) | Medium | Green | No | Smooth coated | Paper, printing, finishing | Oil, chemical | NBR-M-H |
| NBR (rubber) | Medium | Green | No | Fine rough top | Paper, manufacturing processing, printing, finishing | Abrasion | NBR-R-M-H |



Belt Conveyor

BF40 - E - 120 - 1000 - 38,7 - RH1 - PVC std

Size

BF40

BF80

Type

E = End

M = Middle

Width

Length

c/c roller

Speed

Position

Belt type

Note:

Rollco's final inspection ensures that the conveyor belt runs smoothly and is aligned. Motors are not individually tested and not assembled to the unit during transport.

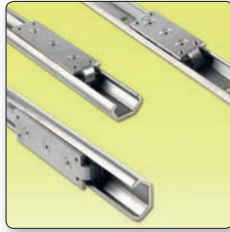
Belt Conveyor Examples



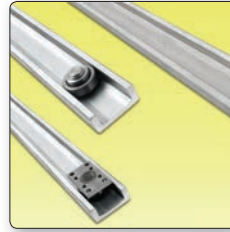
Rollco Products



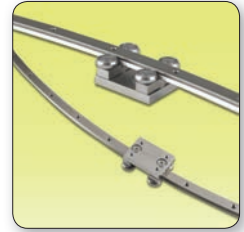
COMPACT RAIL



C-RAIL



U-RAIL



CURVI LINE



LINEAR RAIL SBI



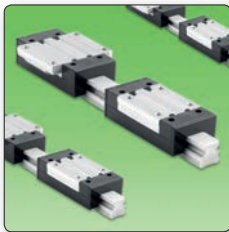
**LINEAR RAIL
BALL CHAIN**



**LINEAR MINIATURE
GUIDE**



**LINEAR ROLLER
GUIDE**



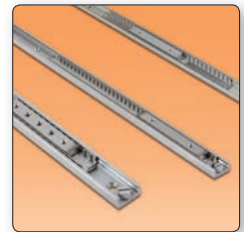
**LINEAR RAIL
ALUMINIUM**



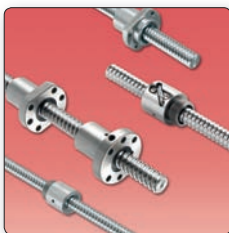
**TELESCOPIC RAIL
HEAVY**



**TELESCOPIC RAIL
LIGHT**



EASYSLIDE



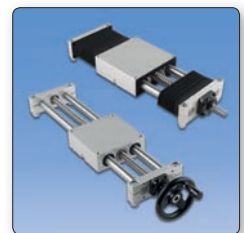
BALL SCREWS



**BALL BEARINGS
& STEEL SHAFTS**



LINEAR UNIT RHL



LINEAR UNIT QME



LINEAR UNIT E-SMART



LINEAR UNITS CT & MT



ALUMINIUM PROFILES



BELT CONVEYORS

Rollco AB
Box 22234
Ekvändan 3
250 24 Helsingborg
Sweden
Tel. +46 42 150040
Fax +46 42 150045
www.rollco.se

Rollco A/S
Ladegårdsvej 2
7100 Vejle
Denmark
Tel. +45 7552 2666
Fax +45 7552 0708
www.rollco.dk

Rollco Oy
Sarankulmankatu 12
33900 Tampere
Finland
Tel. +358 207 57 97 90
Fax +358 207 57 97 99
www.rollco.fi

Rollco Norge AS
Industrigata 6
3414 Lierstrada
Norway
Tel. +47 32 84 00 34
Fax +47 32 84 00 91
www.rollco.no

Rollco Taiwan
No. 28, Lane 125, Da-an Road
Shulin District 238
New Taipei City, Taiwan
Tel. +886-2-8687-2726
Fax +886-2-8687-2720
www.rollco-tw.com



ROLLCO
SPECIALIZED
ON LINEAR MOTION