

Order code

MCE - 45 - 1003 - 150 - F - E20 - 0 - AB - AU - AA - AB - AA

Series:

MCE

Size:

- 25
- 32
- 45

Ball screw size:

- MCE 25: $\varnothing 6 \times 2, \varnothing 6 \times 6$
- MCE 32: $\varnothing 8 \times 2, \varnothing 8 \times 8$
- MCE 45: $\varnothing 10 \times 3, \varnothing 10 \times 10$

Absolute stroke [mm]:

(Absolute stroke = Effective stroke + 2 × Safety stroke)
 - 25, 50, 75, 100, 125, 150, 175, 200

Option 1:

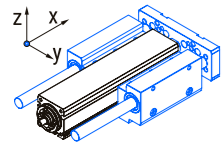
- Leave blank: Standard (male thread)
- F: Female thread

Option 2:

- Leave blank: Without
- Extended piston rod E [mm]
 (Max. extended piston rod: $E_{max} = 100$ mm)

Guiding unit:

- 0: Without a guiding unit
- B: With a guiding unit GUC (ball bushes)



Guiding unit GUC requires a female thread on the piston rod end (Option 1 F).

Motor type and size:

- Leave blank: Without a motor

Motor type:

- A: Stepper motor without a brake
- B: Stepper motor with a brake

Motor size □:

- A: 28 mm (Available soon)
- B: 42 mm
- C: 56 mm

Available sizes:

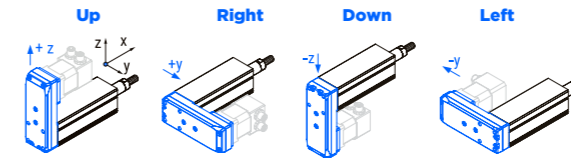
- MSCE 25: 28
- MSCE 32: 28, 42
- MSCE 45: 42, 56

Motor mounting option:

- Leave blank: Without a motor

Mounting option:

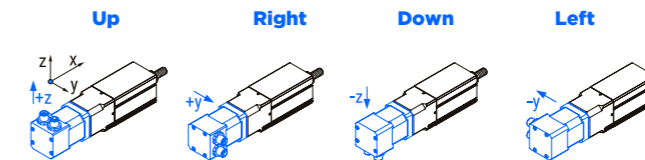
- A: With a motor adapter VK
- B: With a motor side drive MSD facing up
- C: With a motor side drive MSD facing right
- D: With a motor side drive MSD facing down
- E: With a motor side drive MSD facing left



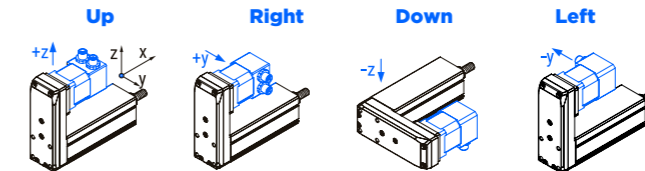
Direction of the motor connectors:

- U: Connectors facing up
- R: Connectors facing right
- D: Connectors facing down
- L: Connectors facing left

In combination with a motor adapter VK



In combination with a motor side drive MSD



If a guiding unit GUC is considered, the motor side drive MSD can only be facing in the up or down directions, otherwise, the motor and the guiding unit may collide!

When using the motor side drive MSD, the connectors can not be facing the MCE otherwise, the connectors and MCE may collide. These combinations are: BD, CL, DU and ER.

Drive option:

- Leave blank: Without a motor or drive

Drive type:

- A: Stepper

Drive protocol/control:

- A: EtherCAT
- B: Ethernet based communication
- C: Pulse-direction control

Drive-motor cables option:

- Leave blank: Without a motor or drive
- 00: Without the cables

Cables type:

- A: Robotic with a straight plug
- B: Robotic with an angled plug

Cables length:

- A: 3 m
- B: 5 m
- C: 10 m

Power and signal cables:

- Leave blank: Without a motor or drive

Power cable:

- 0: Without a power cable
- A: With a power cable

Signal cable:

- 0: Without a signal cable
- A: With a signal cable

Order code

MSCE - 45 - 1003 - 150 - AB - AU - AA - AB - AA

Series:

MSCE

Size:

- 25
- 32
- 45

Ball screw size:

- MSCE 25: $\varnothing 6 \times 2, \varnothing 6 \times 6$
- MSCE 32: $\varnothing 8 \times 2, \varnothing 8 \times 8$
- MSCE 45: $\varnothing 10 \times 3, \varnothing 10 \times 10$

Absolute stroke [mm]:

- (Absolute stroke = Effective stroke + 2 × Safety stroke)
- 25, 50, 75, 100, 125, 150, 175, 200

Motor type and size:

- Leave blank: Without a motor

Motor type:

- A: Stepper motor without a brake
- B: Stepper motor with a brake

Motor size □:

- A: 28 mm (Available soon)
- B: 42 mm
- C: 56 mm

Available sizes:

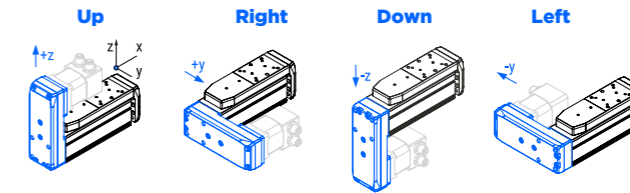
- MSCE 25: 28
- MSCE 32: 28, 42
- MSCE 45: 42, 56

Motor mounting option:

- Leave blank: Without a motor

Mounting option:

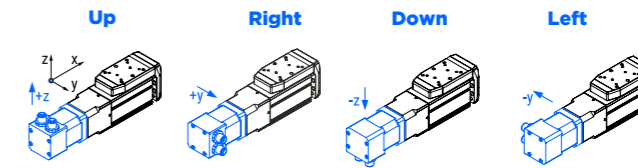
- A: With a motor adapter VK
- B: With a motor side drive MSD facing up
- C: With a motor side drive MSD facing right
- D: With a motor side drive MSD facing down
- E: With a motor side drive MSD facing left



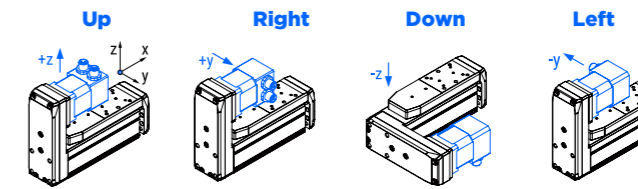
Direction of the motor connectors:

- U: Connectors facing up
- R: Connectors facing right
- D: Connectors facing down
- L: Connectors facing left

In combination with a motor adapter VK



In combination with a motor side drive MSD



When using the motor side drive MSD, the connectors can not be facing the MCE otherwise, the connectors and MCE may collide. These combinations are: BD, CL, DU and ER.

Drive option:

- Leave blank: Without a motor or drive

Drive type:

- A: Stepper

Drive-motor cables option:

- Leave blank: Without a motor or drive
- 00: Without the cables

Cables type:

- A: Robotic with a straight plug
- B: Robotic with an angled plug

Power and signal cables:

- Leave blank: Without a motor or drive

Power cable:

- 0: Without a power cable
- A: With a power cable

Drive protocol/control:

- A: EtherCAT
- B: Ethernet based communication
- C: Pulse-direction control

Cables length:

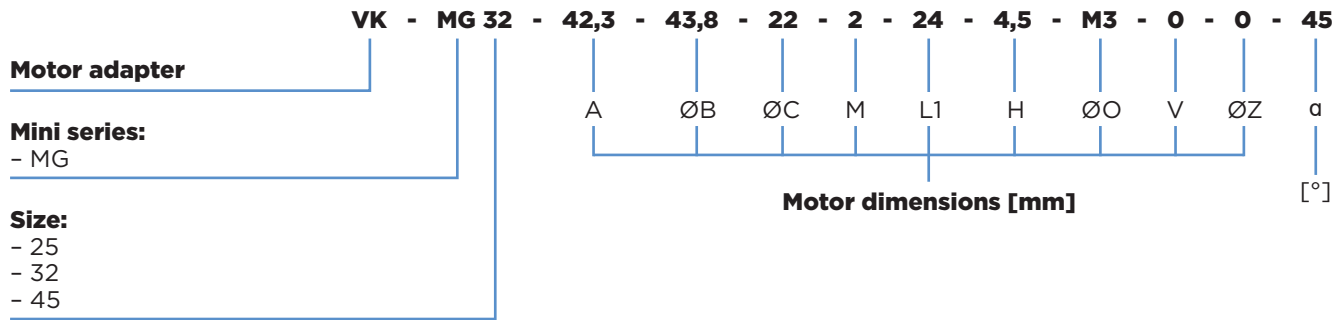
- A: 3 m
- B: 5 m
- C: 10 m

Signal cable:

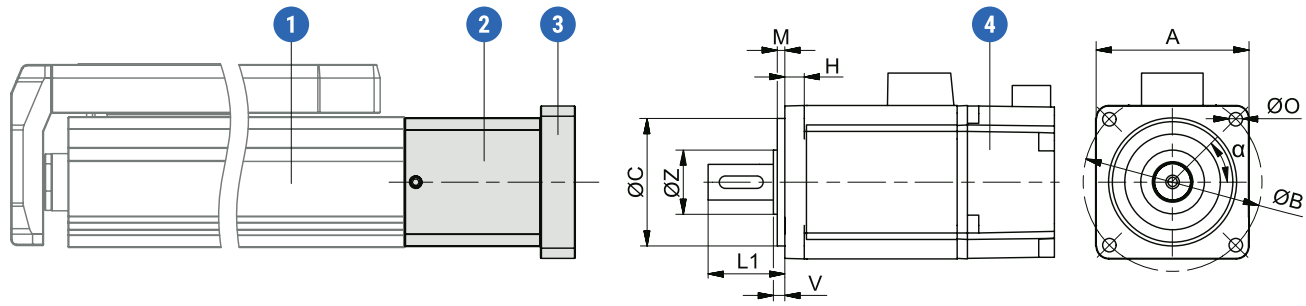
- 0: Without a signal cable
- A: With a signal cable

MOTOR ADAPTER VK

Order code



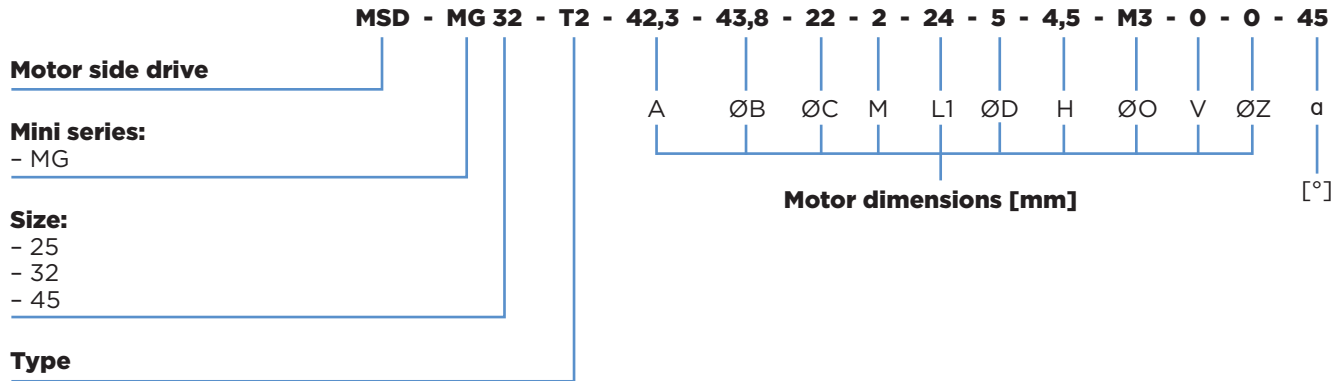
Dimension ØO is also used for tapped holes. In case of tapped holes, prefix M must be applied.



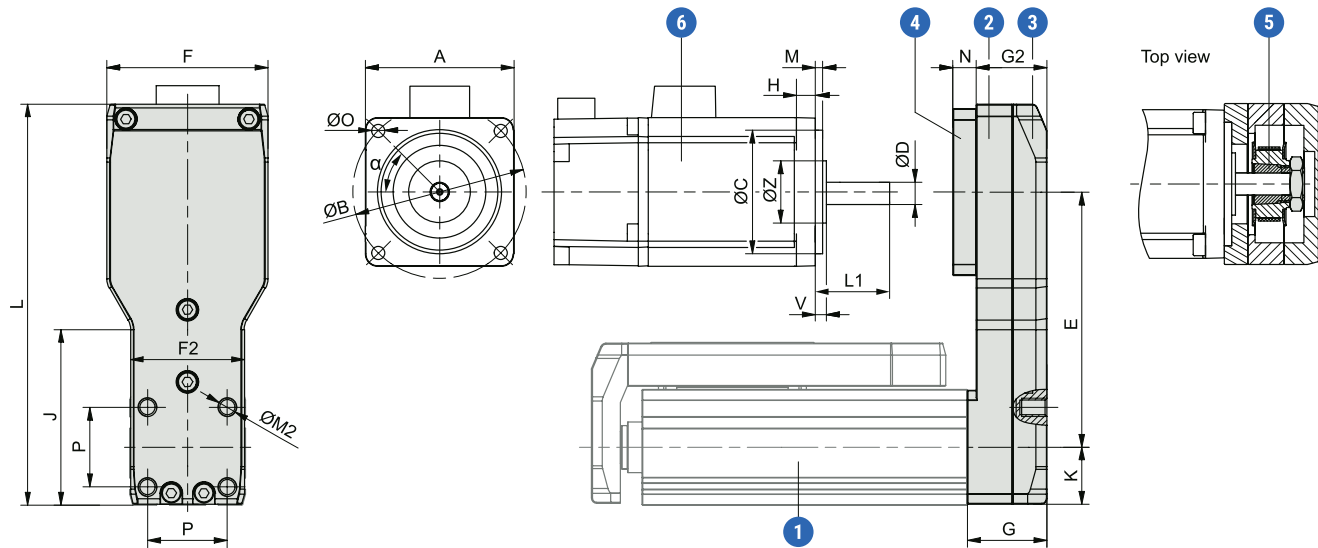
- 1 - MCE/MSCE
 - 2 - Motor adapter housing
 - 3 - Motor adapter flange
 - 4 - Motor
- Motor adapter VK

MOTOR SIDE DRIVE MSD WITH A TIMING BELT

Order code



Dimension ØO is also used for tapped holes. In case of tapped holes, prefix M must be applied.



- 1 - MCE/MSCE
 - 2 - Motor side drive housing
 - 3 - Motor side drive cap
 - 4 - Motor side drive tensioning plate
 - 5 - Clamping set
 - 6 - Motor
- } Motor side drive MSD

Order code

	GUC	- 32	- 125	- BB
Guiding unit				
Size: - 25 - 32 - 45				
GUC stroke: absolute stroke + extendend piston rod E [mm]				
Option: - BB: with the ball bushes				

GUC stroke: absolute stroke + extended piston rod E = max. 300 mm.
For the guiding unit stroke over 300 mm, please contact us.

COUPLINGS

Order code

COUPLING - EKL5 - A - F5 - F6PFN

Coupling

Coupling type/size:

- 2
- 5

Elastomer insert type:

- A

Hole diameter

[mm]

Option:

- PFN: with the keyway
- Leave blank: without the keyway